

SP58D

Oval countertop basin 58 cm with relief

• WITHOUT OVERFLOW • WITHOUT TAP LEDGE

Complements: FORTY6 shelf (F6FNT)
 BOX wall hung vanity units depth 50 cm
 CUBIKA wall hung vanity units depth 50 cm
 Line taps basin: ONE - NOKÉ - SI - FOLD - X1
 Line accessories: TWO - HOOP - NOKÉ - FOLD

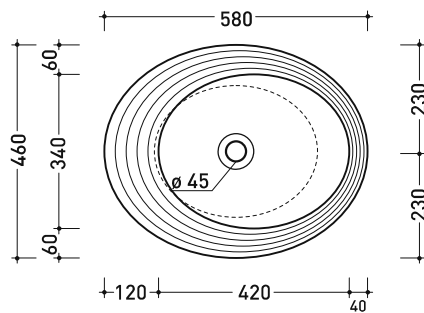
Technical accessories: Chrome siphon (SIFL/CR) - Telescopic chrome siphon (SIFL066)
 Stop & Go drain (PLSG)
 CERAMIC Stop & Go drain (PLCE)
 Chrome waste with automatic integrated overflow (PLTPCR)
 Waste with automatic integrated overflow and ceramic cover (PLTPCE)
 Two piece set chrome tap filters (RF026)

Package dim.

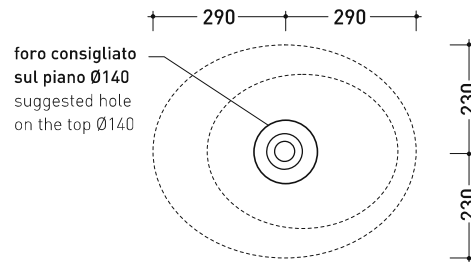
Weight kg

Pz. Pallet n°

CE UNI EN 14688 - CL00 Dop-No14688

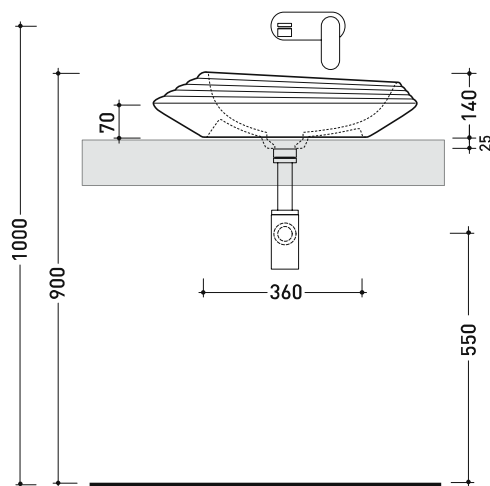


vista zenitale / zenital view

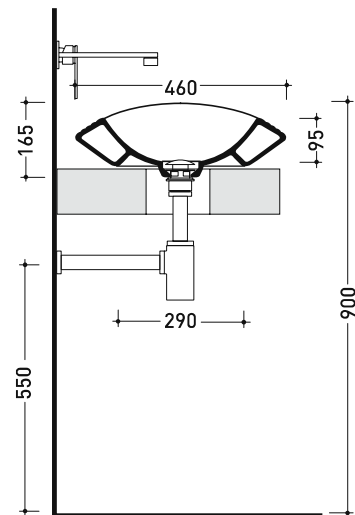


foro consigliato sul piano Ø140 suggested hole on the top Ø140

vista zenitale / zenital view



vista frontale / frontal view



sezione longitudinale / section

sizes in mm

Please consider a 2% tolerance on indicated measurements

CERAMIC: glossy finish



white black

matt finish



milky white carbone argilla cenere nuvola fango rosso rubens petrolio